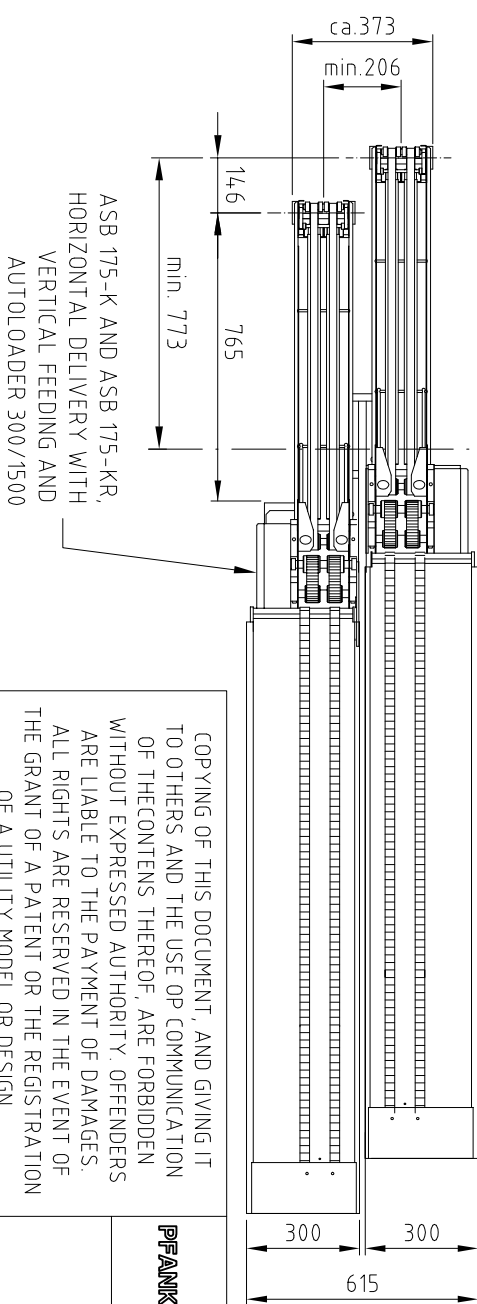


M 1:10



COPYING OF THIS DOCUMENT, AND GIVING IT TO OTHERS AND THE USE OF COMMUNICATION OF THE CONTENTS THEREOF, ARE FORBIDDEN WITHOUT EXPRESSED AUTHORITY. OFFENDERS ARE LIABLE TO THE PAYMENT OF DAMAGES. ALL RIGHTS ARE RESERVED IN THE EVENT OF THE GRANT OF A PATENT OR THE REGISTRATION OF A UTILITY MODEL OR DESIGN.

**PFANKUCH MASCHINEN**

DATUM / DATE:	13.03.2001/SR
MASSTAB/SCALE:	1:20 A4
NUMMER/NUMBER:	ASB175K10

COCA COLA FEEDER HEADS  
KISTERS