

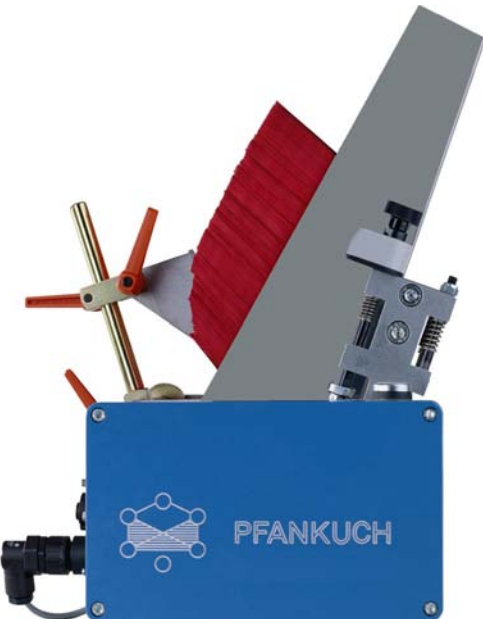
PFANKUCH ASB SHEET FEEDER

ASB 175-K / 310-K / 380-K / 450-K / 650-K AND SERIES KL / KR

Top load bottom feed is the efficient design of all PFANKUCH feeder heads. The side-guided magazine holds up to a 20" stack of product. The material pile leans slightly forward towards a shaped front guide to ensure minimum pressure on the bottom sheet. The PFANKUCH shaped back rest helps the products to slide gently into the feed position under the unique PFANKUCH contra rotating stripper wheels. Profiled antistatic feed belts separate the lowest piece of the pile and bring it damage free into the standby position for feeding into the production run. The self adjusting, photo optical double and misfeed control insures flawless function.

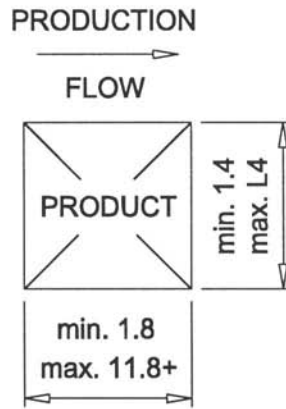
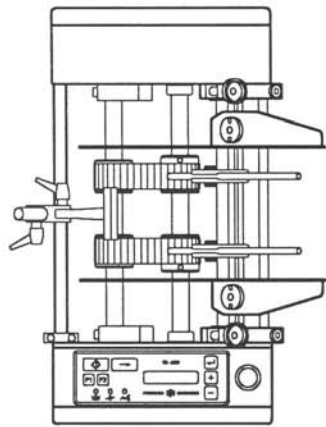
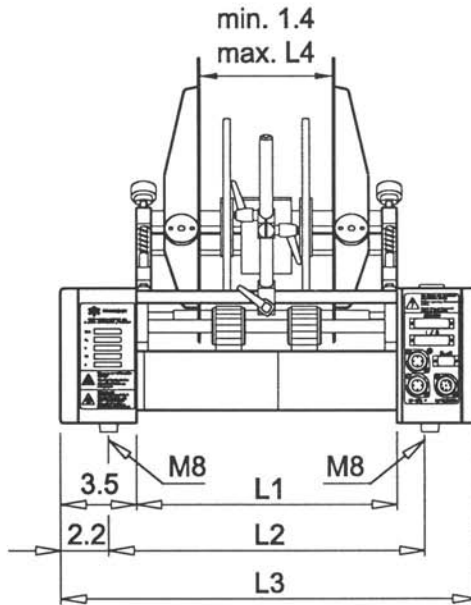
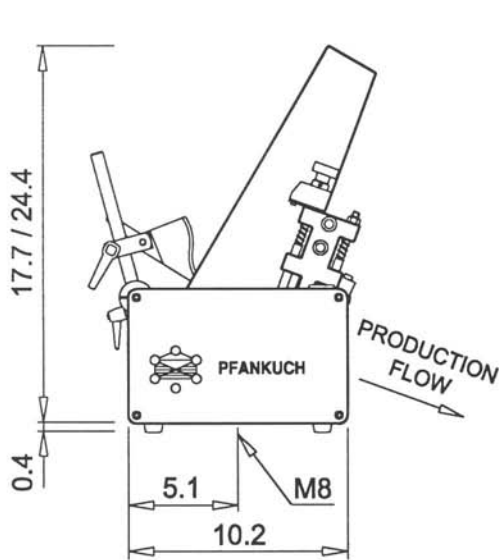
The feed signal for the product comes from an electronic start sensor. The product is ejected from a pre-checked standby position. This limits the feed action to a fraction of a second.

All PFANKUCH feeder functions are controlled by the Touch Panel of the PFANKUCH VS-2000 Dialog-Processor. Peripheral functions such as Auto Loaders are powered and guided by the unique PFANKUCH compact control system.

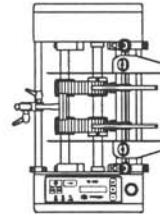


PFANKUCH MASCHINEN VERTRIEBS GMBH
KURT-FISCHER-STRASSE 23 b
GERMANY 22926 AHRENSBURG
TEL. +49 (0)4102-42045 FAX +49 (0)4102-43181
PFANKUCHMASCHINEN@UUMAIL.DE
[HTTP://WWW.PFANKUCH.COM](http://www.pfankuch.com)

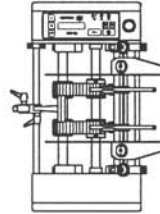
PFANKUCH MACHINERY CORPORATION
EIGHT SCOT'S WAY
ESSEX, MA 01929 - USA
TEL. (978) 412-9599 FAX (978) 412-9499
INFO@PFANKUCH.COM



ASB -K
CONTROL UNIT RIGHT



ASB -KR
CONTROL UNIT LEFT



TECHNICAL DATA

FEEDER	L1 [in]	L2 [in]	L3 [in]	L4 [in]	OUTPUT max.	WEIGHT [net Kg]
ASB 175-K / -KR	6.9	9.5	14.2	4.5	380 ft/min.	19
ASB 310-K / -KR	12.2	14.8	19.5	9.8	380 ft/min.	24
ASB 380-K / -KR	15	17.56	22.3	12.6	380 ft/min.	31
ASB 450-K / -KR	17.7	20.3	25	15.3	380 ft/min.	38
ASB 650-K / -KR	25.6	28.2	33	23.2	380 ft/min.	56

Voltage : 90 - 240 V · 50 - 400 Hz · 0,4 KW

Drive : Servo motor

Protection class : IP43 special IP 64

PFANKUCH MASCHINEN VERTRIEBS GMBH
KURT-FISCHER-STRASSE 23 b
GERMANY 22926 AHRENSBURG
TEL. +49 (0)4102-42045 FAX +49 (0)4102-43181
PFANKUCHMASCHINEN@UUMAIL.DE
HTTP://WWW.PFANKUCH.COM



**PFANKUCH
MASCHINEN**

PFANKUCH MACHINERY CORPORATION
EIGHT SCOT'S WAY
ESSEX, MA 01929 - USA
TEL. (978) 412-9599 FAX (978) 412-9499
INFO@PFANKUCH.COM